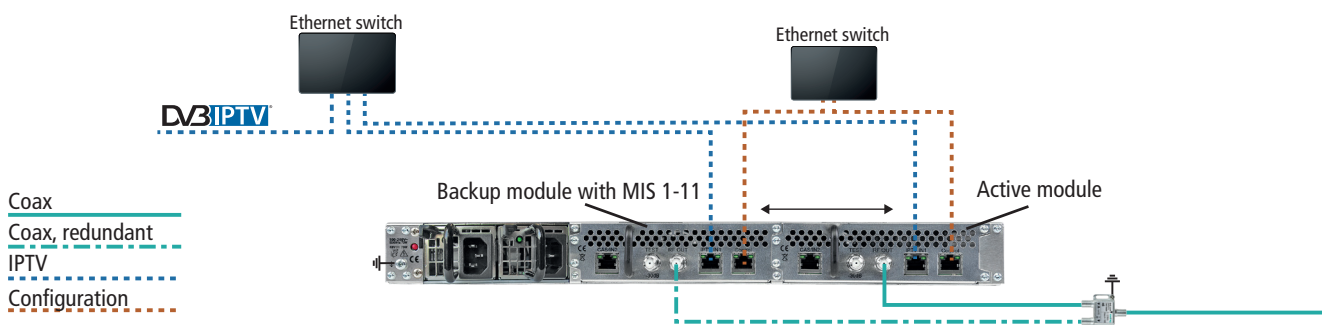
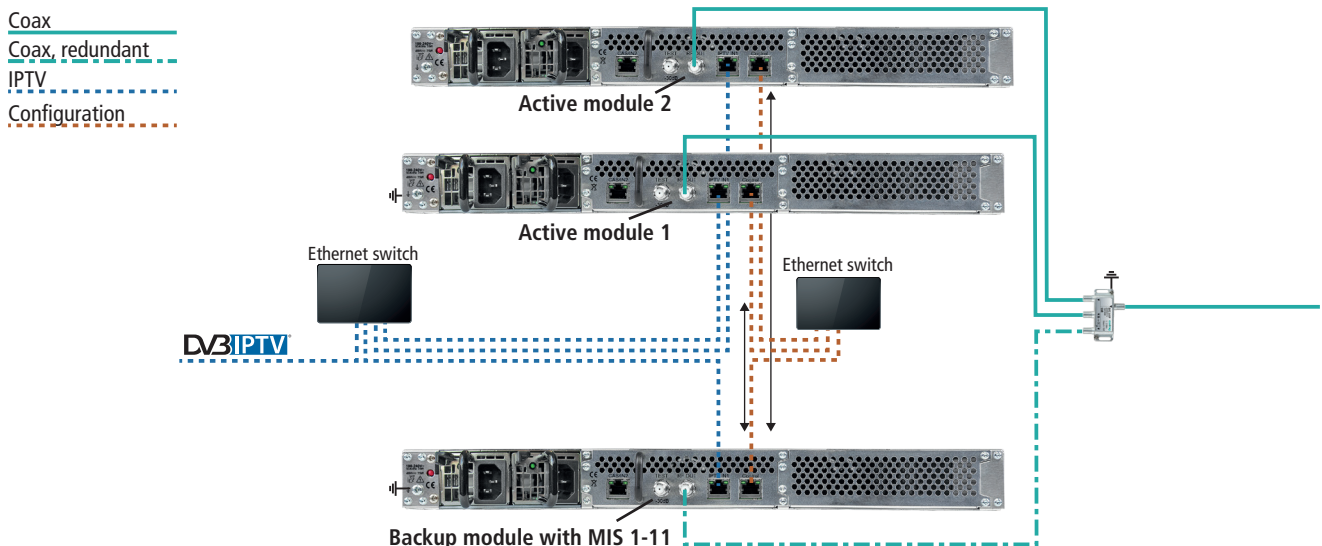


MIE module redundancy

Module redundancy offers the possibility to replace a module of the MIE with another module, e.g. in case of failure. If certain configurable conditions occur (input error, output error, operating voltage error, etc.), then the system switches to the backup module.



The illustration above shows module redundancy within an MIE. On the backup module, the output modulators are deactivated first. When switching to the backup unit, its output modulators become active and provide the output signal. The output modulators of the monitored module are deactivated in this case. A module with MIS 1-11 installed can monitor up to five other modules and serve as a backup module for these modules.



The backup module loads the configuration from the monitored modules and uses it in the event of an error.

- ✓ The backup module and the monitored modules must be connected to each other via the control port (ideally in the same IP subnet).
- ✓ A valid licence (MIS 1-11) must be installed for the backup module.
- ✓ The backup module should be identical in construction to the monitored units.

